

ATTIX 961-01

Model:
ATTIX 961-01



Part List English

11-02-2009

Table of Contents

ATTIX 961-01

Cabinet BASIC	3
Base BASIC	5
Filter system	7
Motor and motor top BASIC	9
Container and chassis BASIC	11
Accessories	13

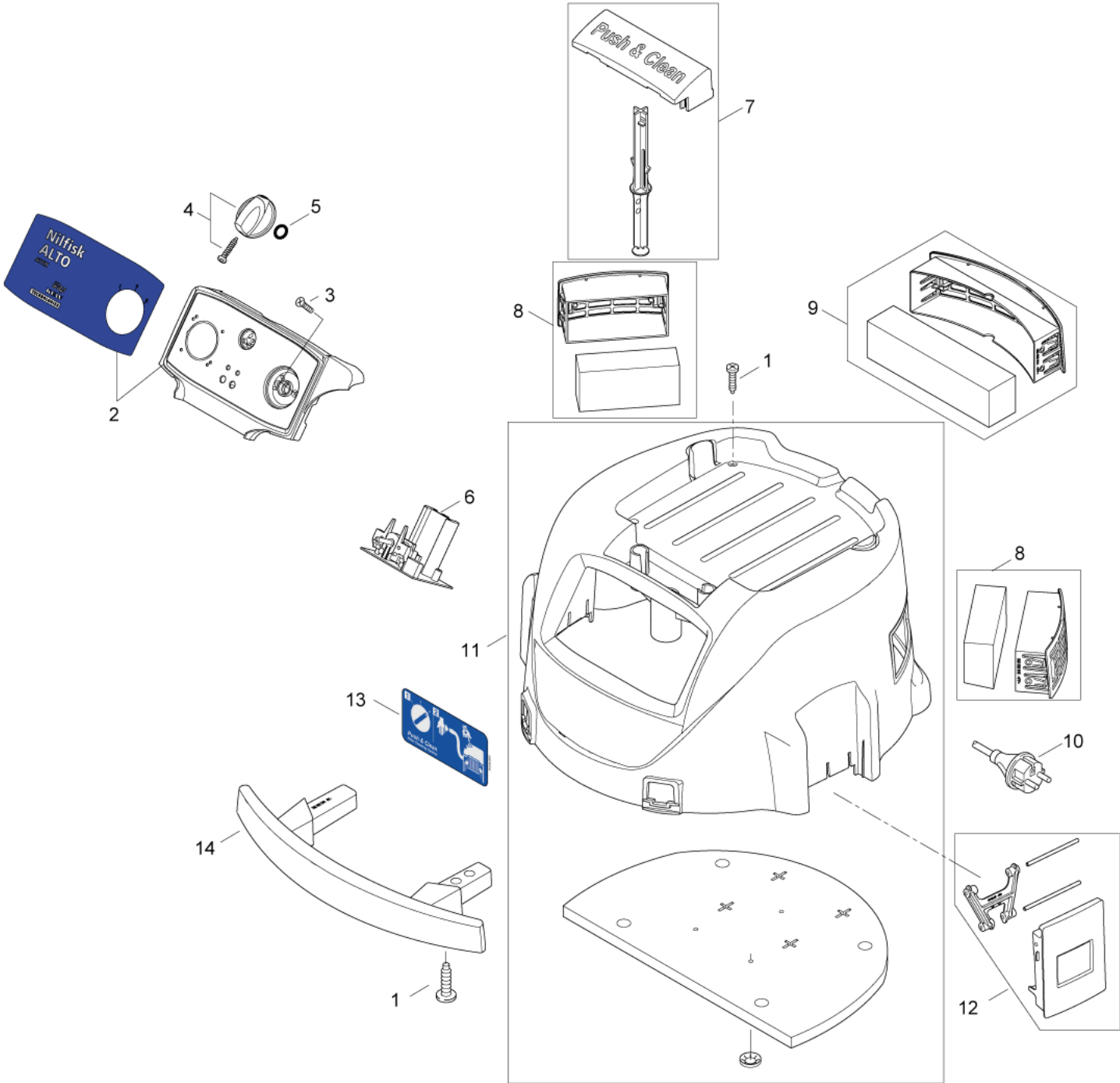
Cabinet BASIC

ATTIX 961-01

11-02-2009

Part List ID
ATTIX902

3



Cabinet BASIC

ATTIX 961-01

11-02-2009

Part List ID
ATTIX902

4

Pos	Part no.	Qty	Description	EAN
1	302003376	1	SCREW KIT	4005337136
2	302003399	1	DISPLAY "1-0-11"	4005337136
3	18274	2	COUNTERSUNK SCREW	4005337182
4	909100204	1	ROTARY KNOB	4005337689
5	9868	1	O RING	4005337098
6	302002778	1	ELECTRONIC - ATTIX 9 230V	4005337129
7	302003395	1	PUSH BUTTON KIT P&C ATTIX 9	4005337136
8	302003397	2	CARTRIDGE ATTIX 9/IVB 9	4005337136
9	302003398	1	EXHAUST AIR FILTER ATTIX 9/IVB 9	4005337136
10	302002787	1	POWERCORD	4005337129
10	302002788	1	LTG NETZ H07RN-F3G1.5X10.6M	4005337129
10	302002789	1	CABLE 10.6 METER CH	4005337158
10	302002790	1	LTG NETZ H07BQ-F3G2,5X10,8M CEE GELB GB	4005337129
10	302002791	1	LTG NETZ H07RN-F3G1.0X10.8M SRAF1962 DK	4005337158
11	302003394	1	HOOD KIT ATTIX 9/IVB9	4005337136
12	302003383	1	CLAMP KIT ATTIX 9/IVB 9	4005337136
13	302002899	1	LABEL "PUSH AND CLEAN"	4005337129
14	302002590	1	HANDLE FOR HOOD	4005337128

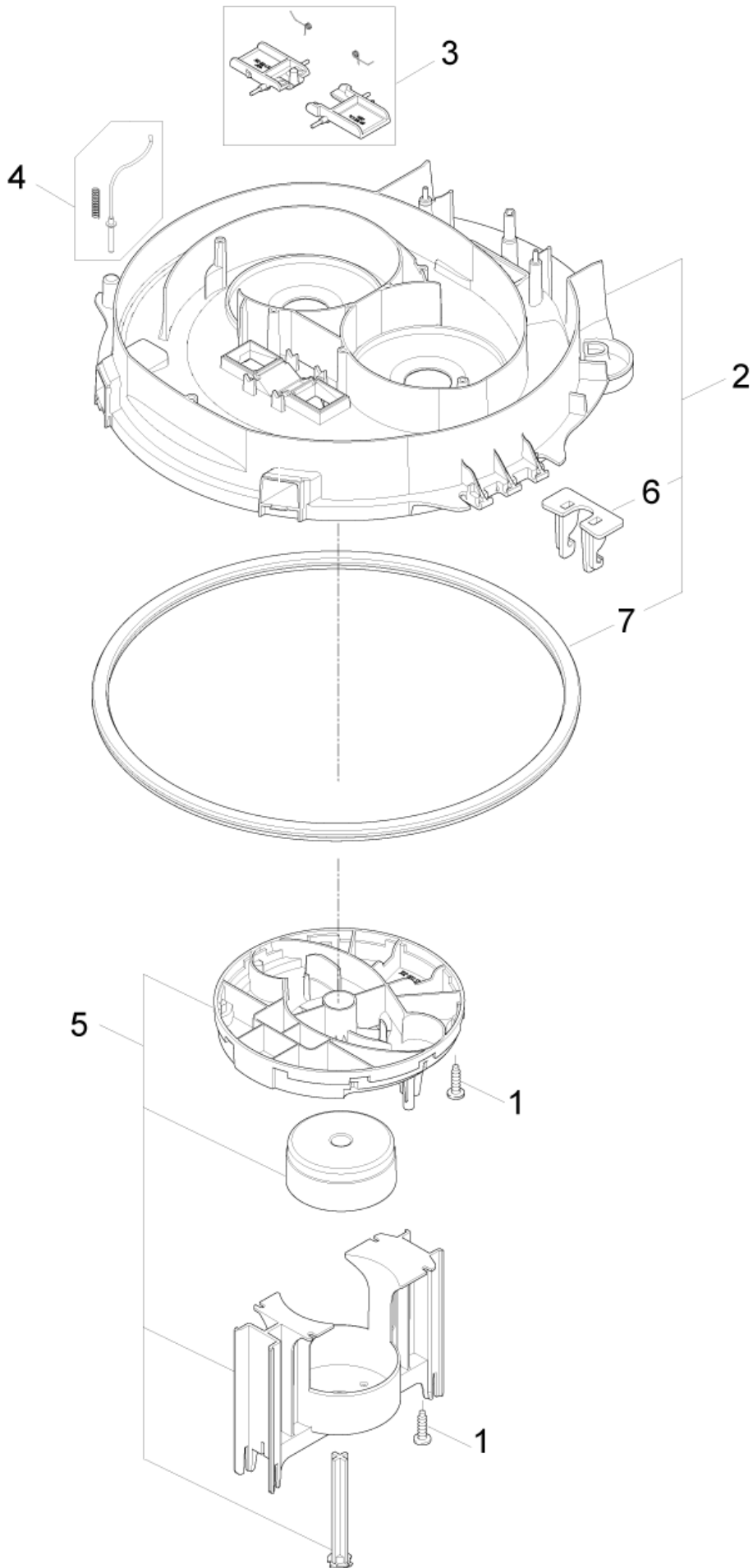
Base BASIC

ATTIX 961-01

11-02-2009

Part List ID
ATTIX906

5



Base BASIC

ATTIX 961-01

11-02-2009

Part List ID
ATTIX906

6

Pos	Part no.	Qty	Description	EAN
1	302003376	1	SCREW KIT	4005337136
2	302003597	1	BASE PLATE P & C "ATTIX 9	4005337141
3	302003387	1	PUSH AND CLEAN FLAP ATTIX9	4005337136
4	302002678	1	CONTACT SPRING WITH WIRE	4005337128
5	302003382	1	FLOATER KIT ATTIX 9/IVB9	4005337136
6	302000512	1	FIXATION 72X32X52	4005337020
7	302001432	1	GASKET CONTAINER	4005337067

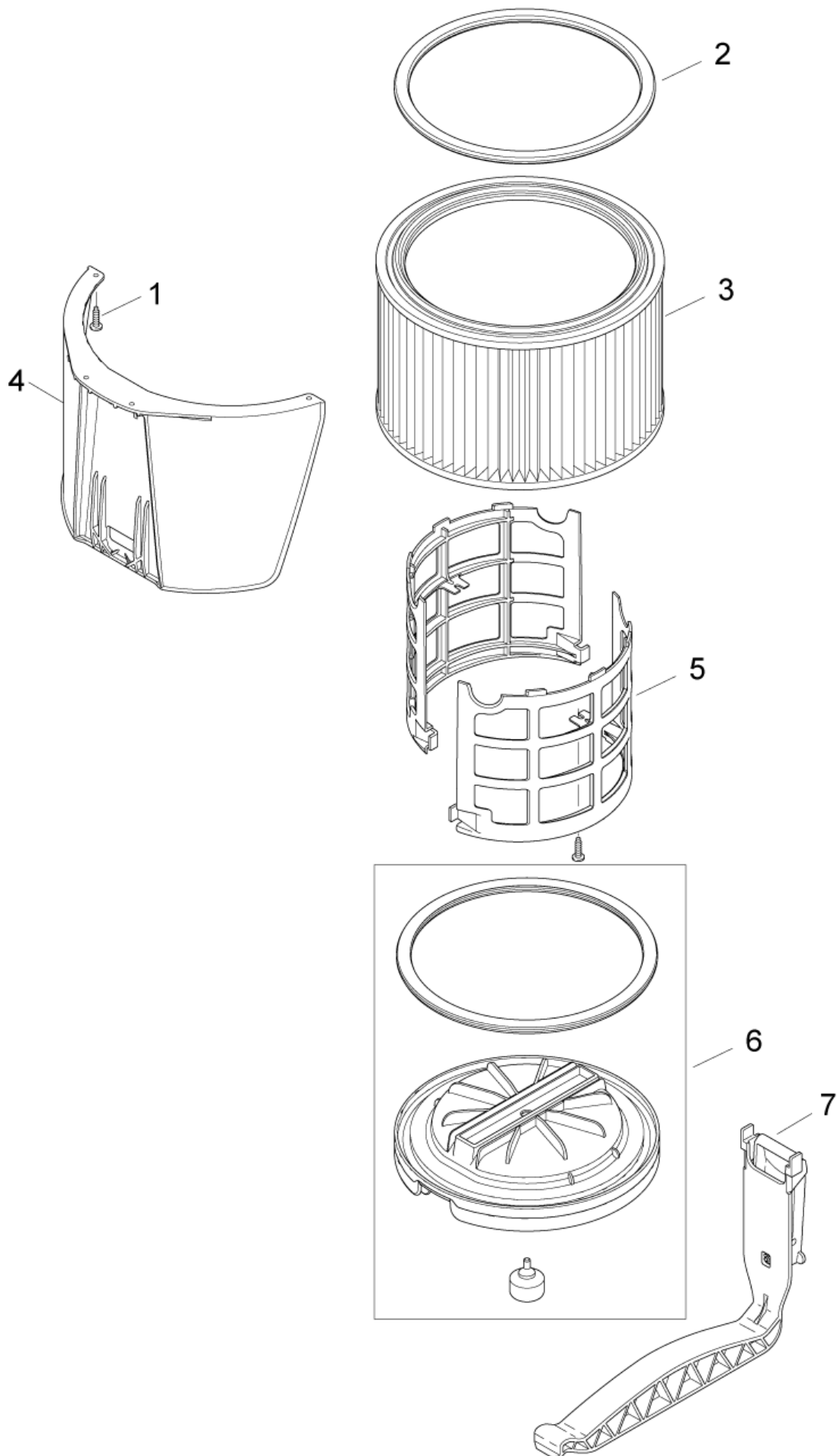
Filter system

ATTIX 961-01

11-02-2009

Part List ID
ATTIX908

7



Filter system

ATTIX 961-01

11-02-2009

Part List ID
ATTIX908

8

Pos	Part no.	Qty	Description		EAN
1	302003319	1	SCHRAUBEN ATTIX/IVB 9 SET-01	BASIC	4005337140
1	302003376	1	SCREW KIT	SD XC	4005337136
2	302000697	1	GASKET FILTER		4005337690
3	302000751	1	FILTER ELEMENT 1275X182 K IT		4005337020
4	302000383	1	DEFLECTOR 318X180X212		4005337020
5	302000385	1	FILTER SUPPORT CAGE 216X 93X177		4005337020
6	302000844	1	FILTER SURFACE PLATE		4005337027
7	302000702	1	TENSION JACK "M"		4005337020

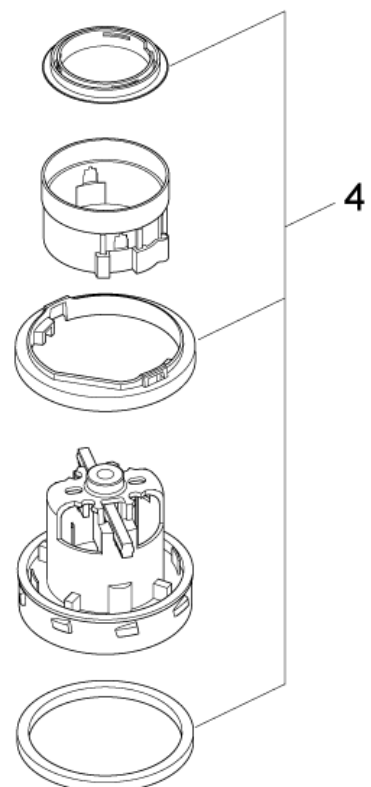
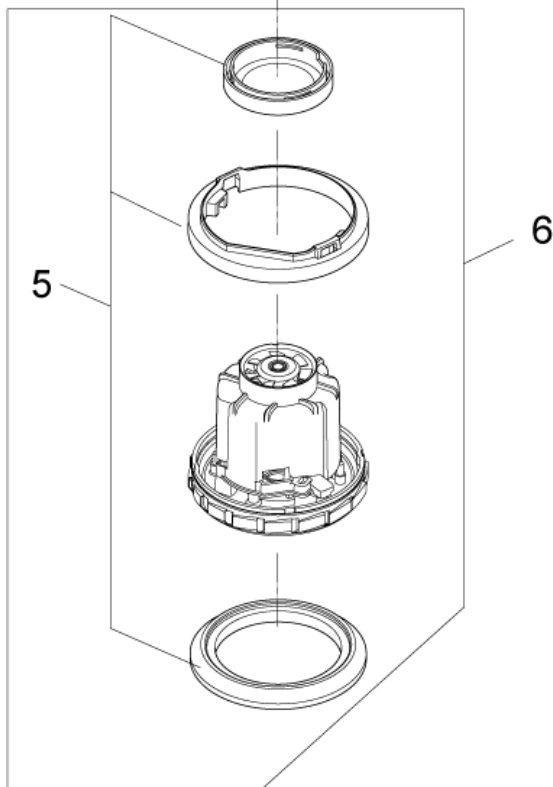
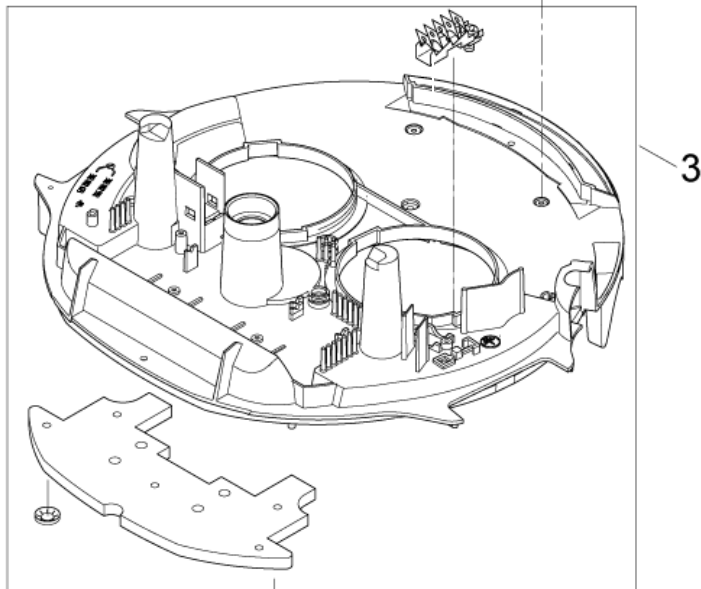
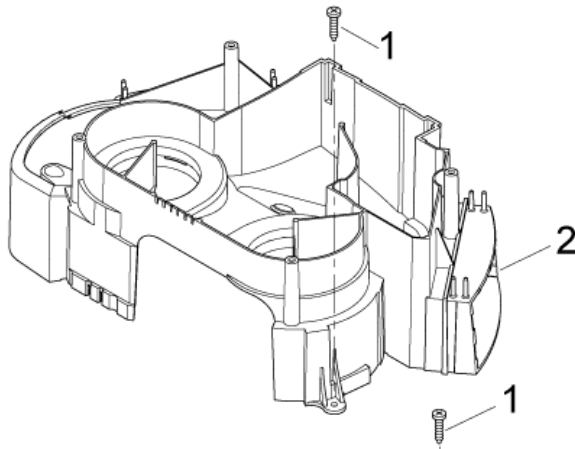
Motor and motor top BASIC

ATTIX 961-01

11-02-2009

Part List ID
ATTIX904

9



Motor and motor top BASIC

ATTIX 961-01

11-02-2009

Part List ID
ATTIX904

10

Pos	Part no.	Qty	Description	EAN
1	302003376	1	SCREW KIT	4005337136
2	302002582	1	AIRGUIDE ATTIX 9	4005337128
3	302003389	1	CLAMPING PLATE KIT ATTIX 9/IVB 9	4005337136
4	302003390	1	SEALING KIT S	4005337136
5	302003385	1	SEALING KIT R	4005337136
6	302003384	1	TURBINE KIT, 1200W 230V	4005337136
6	302003386	1	TURBINE KIT 1000 230	4005337136
6	302003388	1	TURBINE KIT 1000W 120V	4005337136

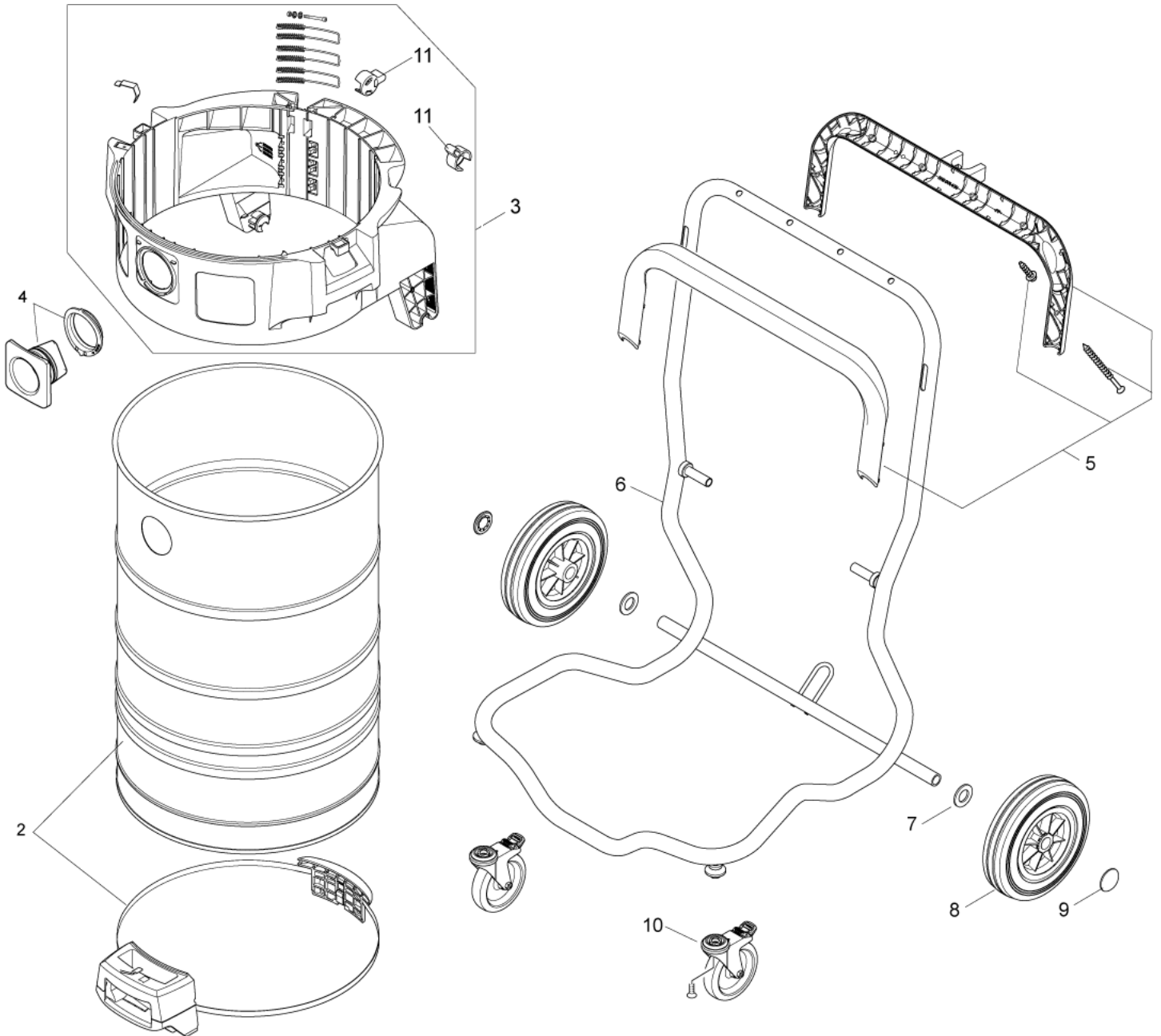
Container and chassis BASIC

ATTIX 961-01

11-02-2009

Part List ID
ATTIX909

11



Container and chassis BASIC

ATTIX 961-01

11-02-2009

Part List ID
ATTIX909

12

Pos	Part no.	Qty	Description	EAN
1	302003376	1	SCREW KIT	4005337136
2	302003377	1	CONTAINER BASIC	4005337158
3	302003378	1	BELT KIT	4005337136
4	302003380	1	INLET FITTING KIT ATTIX 9/MB 9	4005337136
5	302001706	1	HANDLE SET-1, UPPER AND L	4005337072
6	302001437	1	FRAME BLACK	4005337056
7	302000334	2	WHEEL 200X45	4005337674
8	3750	2	WHEEL CAP	4005337037
9	2011054	2	TURNABLE WHEEL	5701715031
10	24310	2	COUNTERSUNK SCREW M8X16 D IN 79	4005337243
11	302001441	2	INTERLOCK CONTAINER ATTIX	4005337059

Accessories

ATTIX 961-01

11-02-2009

Part List ID
ATTIX912

13

No Drawing For Part List

Accessories

ATTIX 961-01

11-02-2009

Part List ID
ATTIX912

14

Pos	Part no.	Qty	Description	EAN
1	302001612	1	SAFETY FILTER BAG MB-7 0 ATTIX 7	4005337068
2	302002624	1	ACCESSORY BASKET	4005337128
3	302002621	1	EXHAUST FITTING R50 ATTIX	4005337128
5	302002622	1	FORKLIFT ACCESSORY	4005337128
6	302003127	1	COINTAINER ATTIX9 SD COMPLETE	4005337131
7	302002796	1	SUCTION HOSE 38X4000	4005337129
8	302002888	1	EXTENSION TUBES R38 2 X 5	4005337146
9	302002889	1	CURVED HAND TUBE	4005337129
10	302002890	1	CREVICE NOZZLE 38MM	4005337129
11	302002884	1	TOOL ADAPTER 38/50MM	4005337129
12	302002798	1	FLOOR NOZZLE 38 MM BASIC	4005337129
13	302000751	1	FILTER ELEMENT 275X182 K IT	4005337020
15	302002892	1	FLEECE FILTERBAG PU 5 PCS	4005337129
7a	107400049	1	MULTIFIT ADAPTER SET	4005337147

for 3020002796